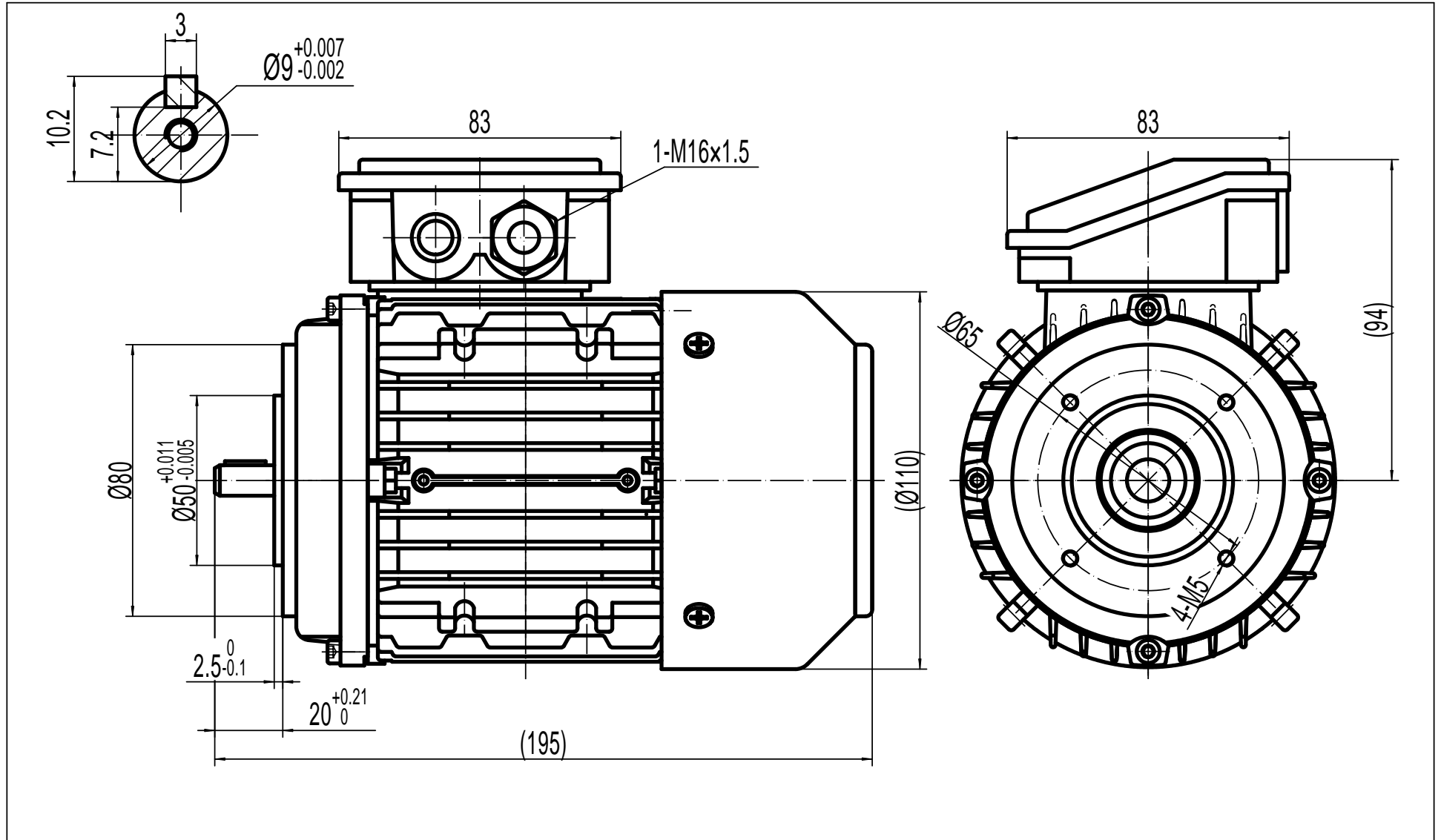


OUTLINE DIMENSIONAL DRAWING



| | |
|---------------------------|----------------------|
| TECHTOP AUSTRALIA PTY LTD | |
| FRAME | TAI 56A B14 |
| DATE | RAWING NO. |
| 2011/10/14 | 1ST080.060.001-011 A |